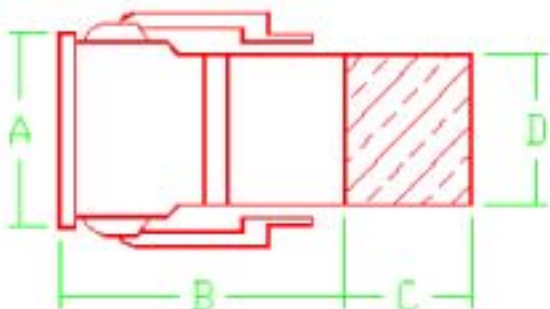




Phone: 763-786-6682
 Fax: 763-786-2167
 Toll Free: 888-355-5574
 email: poly-cam@poly-cam.com

Series 641

The Camlock/HDPE Female Transition



| Nominal Size Inches | POLY-CAM Flanged End Material | Coupling Diameter A | Coupling Length B | HDPE Length C | HDPE Diameter D |
|---------------------|--|---------------------|-------------------|---------------|-----------------|
| 2 | 316 Stainless, Carbon, Aluminum, Brass, Ductile, Polypro | 3 7/8 | 6.250 | 4.0 | 2.375 |
| 3 | 316 Stainless, Carbon, Aluminum, Brass, Ductile, Polypro | 5 5/16 | 7.125 | 4.0 | 3.500 |
| 4 | 316 Stainless, Carbon, Aluminum, Brass, Ductile, Polypro | 6 7/16 | 8.00 | 5.0 | 4.500 |
| 6 | 316 Stainless, Carbon, Aluminum, Brass, Ductile, Polypro | 10 1/8 | 9.00 | 7.0 | 6.625 |
| 8 | 316 Stainless, Carbon, Aluminum, Brass, Ductile, Polypro | 12 15/16 | 13.00 | 8.0 | 8.625 |

Caps, Dust Plugs and Hose Shanks also Available

11/00 © Registered Trademark Poly-Cam, Inc. • US Patent # 5,211,429